

## Printwires for Impact Printheads

Microlys supplies the printer and printhead manufactures with high quality printwires.

Although Tungsten is the most common material, several others are also available such as Tungsten Carbide, Tool Steel, Piano wire, etc.

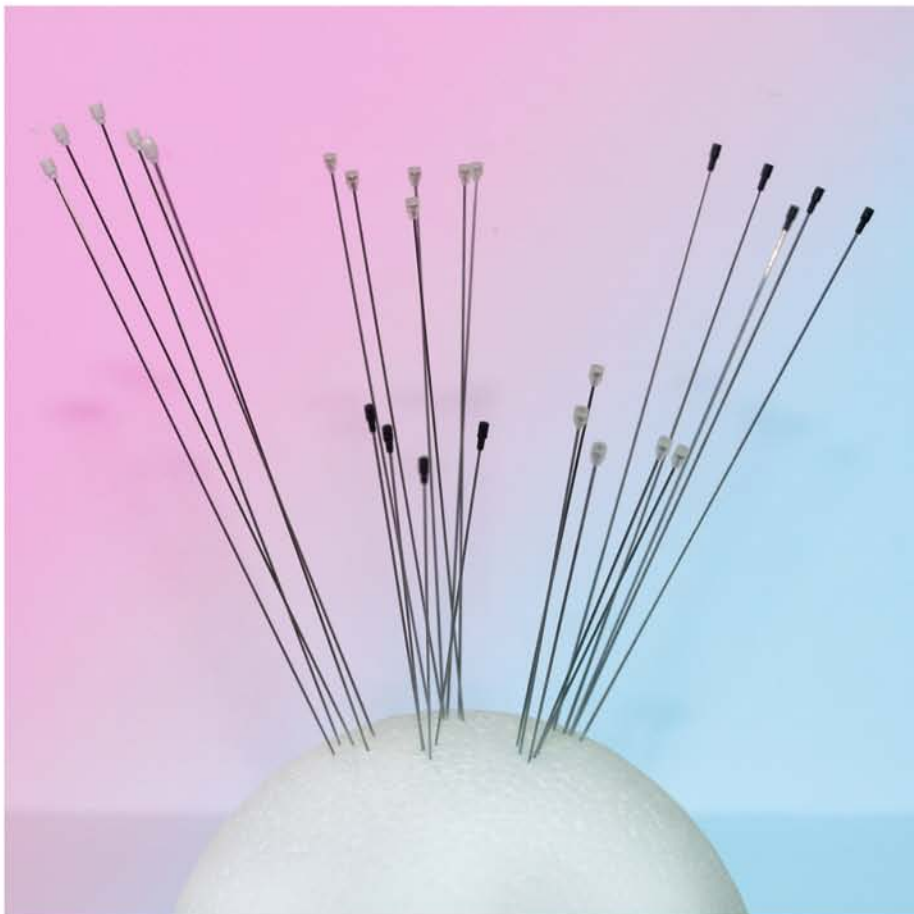
All materials are carefully selected to insure a maximum durability.

Printwires are sold bare (single or double diameter), with a plastic (Polyamid type Grilon 8G-30S, formerly called PVN-3H or TV-35H).

The plastic material used for the cap, unlike some cheaper wires available on the market, is made with 100% new granulates.

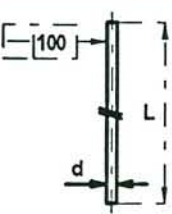
Microlys is using a most sophisticated ball welding technology to hold the plastic cap, guaranteeing a maximum resistance to high impact forces.

Over the years, Microlys has developed a wide range of standard printwires for OEM's and for the printhead repair market, thus offering probably the largest variety of wires available on the market.

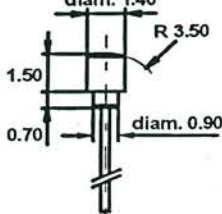


**STANDARD MODELS**

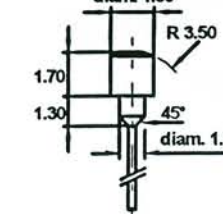
This list is for information only and does not guarantee the availability from stock



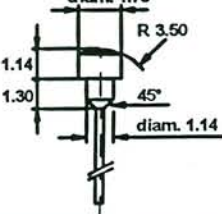
Diam.	Length	Reference
0,195	50,00	2319500A
0,200	120,00	23212F0A
0,200	120,00	2325900A
0,200	36,60	23208F0A
0,200	40,00	23173F0A
0,200	43,00	23214F0A
0,200	50,00	2306500A
0,200	50,00	23205F0A
0,200	52,00	2304400A
0,200	88,23	2309700A
0,220	60,00	23279F0A
0,240	62,54	2319700A
0,250	30,00	2304200A
0,250	45,00	2307300A
0,250	60,00	23233H0A
0,280	24,00	23245M0A
0,280	79,95	23113M0A
0,280	97,30	2321900A
0,280	100,00	23277F0A
0,295	45,90	2323600A
0,300	42,50	2320100A
0,300	52,00	2307200A
0,300	52,00	23072F0A
0,300	80,00	2318300A
0,300	80,00	23261F0A
0,300	110,00	2309400A
0,305	30,00	2305100A
0,320	65,00	23271F0A
0,350	50,00	23275F0A
0,350	110,00	2307900A
0,360	103,00	2317900A
0,360	48,30	2310000A
0,360	55,20	2301100A



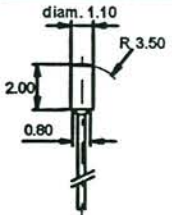
Diam.	Length	Reference
0,25	62,00	2314002A
0,280	85,00	23262M2C
0,295	34,85	2314102A
0,295	47,20	2313502A
0,295	90,25	2311802A
0,30	44,50	2328302A
0,30	48,50	2311102A
0,30	50,10	2303602A
0,30	52,50	2304102A
0,30	53,50	2313202A
0,30	60,60	2305202A
0,30	61,10	2306002A
0,30	70,90	2323202A
0,30	72,00	2329002A
0,30	80,00	2312202A
0,30	83,00	2302302A
0,33	53,16	2303802A
0,33	55,00	2323702A
0,35	19,16	2317002B
0,35	53,10	2312602A
0,35	53,50	2303702A
0,35	60,00	2303902A
0,35	65,00	2323802A
0,35	80,00	2325102A
0,355	100,00	2317402A



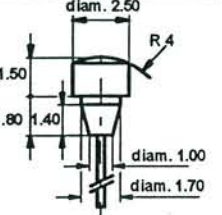
Diam.	Length	Reference
0,210	50,00	2315802A
0,295	105,00	2314502A
0,300	73,40	2302702A
0,300	80,00	2312402A
0,300	83,00	2310102A
0,300	94,00	2312502A
0,305	60,00	2315102A
0,350	50,00	2304702A
0,350	52,10	2311202B
0,350	60,00	2314602A
0,350	73,40	2301202A
0,350	119,80	2314302A
0,355	89,30	2314202A



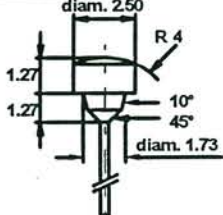
Diam.	Length	Reference
0,300	35,20	2316202A
0,300	42,50	2322302A
0,305	60,00	2302602A
0,305	60,00	2328002A
0,305	67,00	2322202A
0,305	74,50	2301302A
0,305	78,74	2312002A
0,330	74,80	2303002A
0,355	100,00	2321702A
0,355	60,00	2300302A
0,355	68,00	2301602A
0,355	75,00	2302502A
0,355	78,90	2319202A



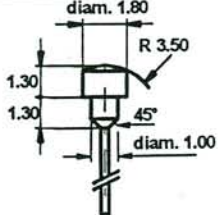
Diam.	Length	Reference
0,20	40,00	23301F2A
0,20	40,00	2330002A
0,20	51,53	2322702A
0,28	31,98	2326802A
0,28	32,10	2325002A
0,28	32,50	2322802A
0,28	32,50	23228F2A
0,28	33,25	2307702A
0,28	38,70	2317102A
0,28	38,70	23171F2A
0,30	34,50	23291F2A
0,30	53,10	2313902A



Diam.	Length	Reference
0,350	57,08	2314802A
0,350	89,00	2302202A
0,355	99,00	2313802A
0,360	87,20	2315402A
0,360	89,00	2313602A



Diam.	Length	Reference
0,300	92,80	2313702A
0,350	106,20	2314902A
0,350	83,00	2313302A
0,350	88,90	2312302A
0,355	65,85	2312702A
0,355	66,65	2312102A
0,355	90,00	2314402A



Diam.	Length	Reference
0,350	65,38	2301902A
0,350	65,41	2305402A
0,350	65,48	2302002A
0,350	65,50	2305502A
0,350	65,58	2305602A
0,350	65,65	2302102A

Materials: 23.xxx.0xx  
23.xxx.Fxx

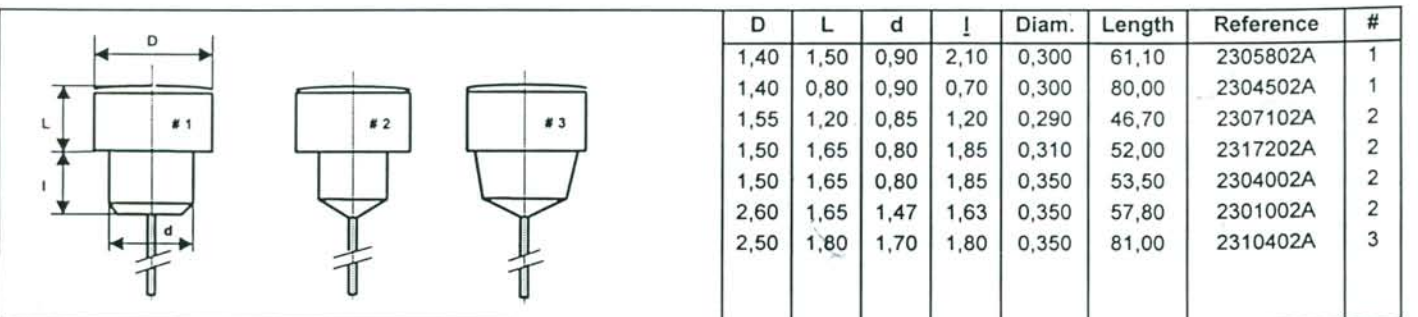
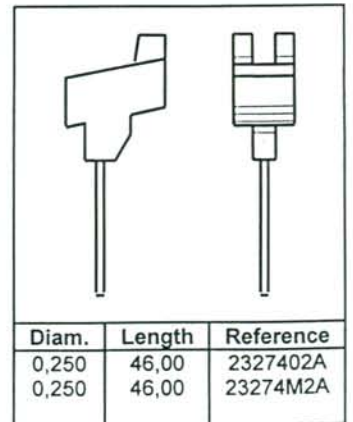
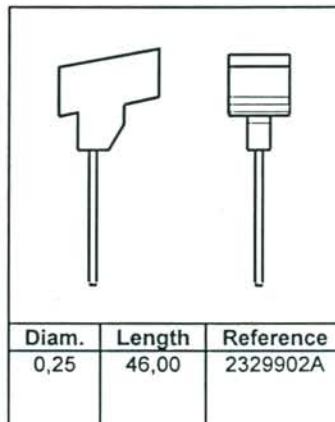
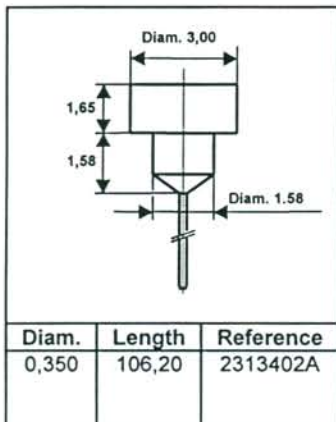
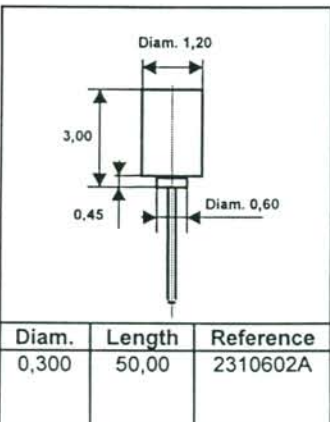
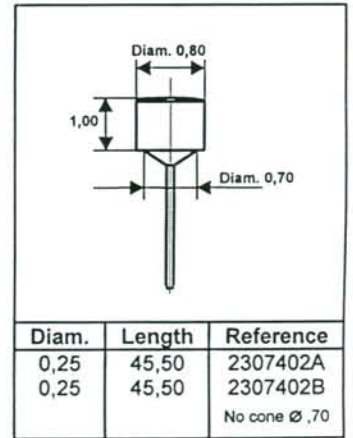
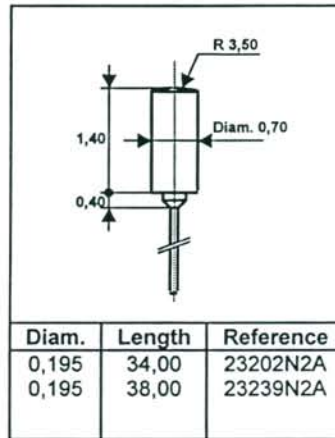
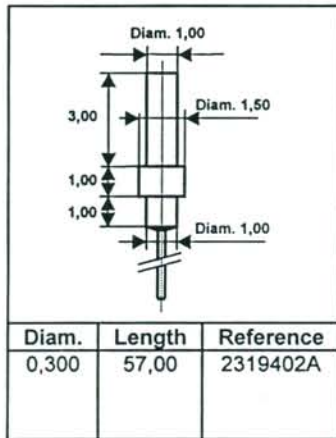
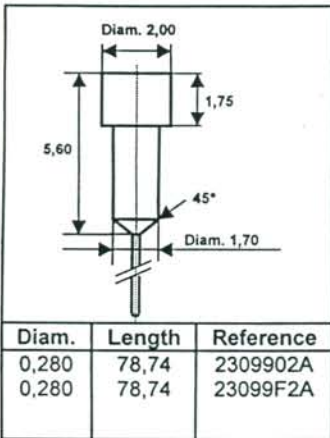
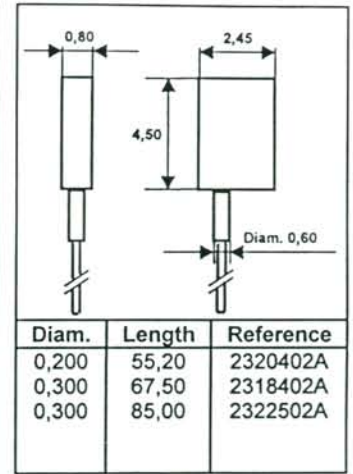
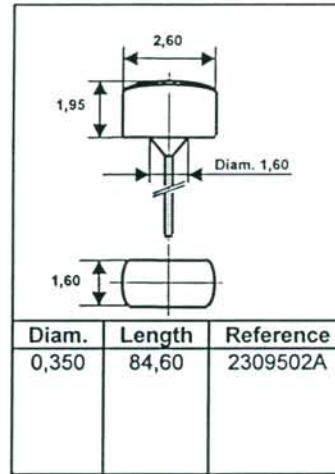
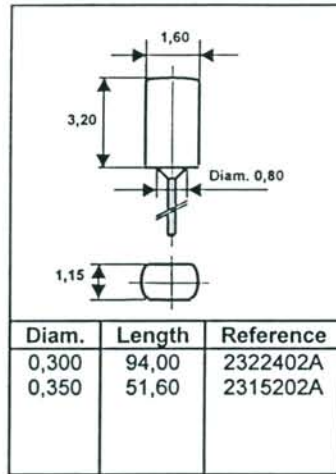
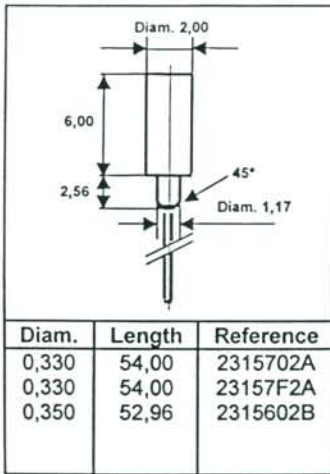
= Tungsten 23.xxx.Hxx  
= FAX 40D 23.xxx.Mxx

= HAP-40  
= Tungsten carbide

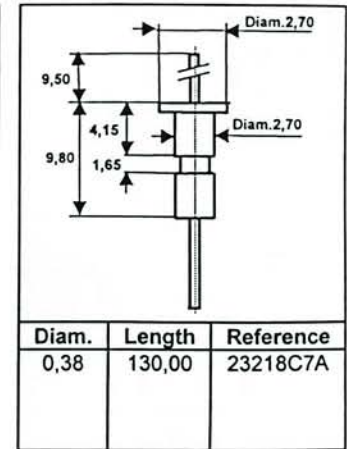
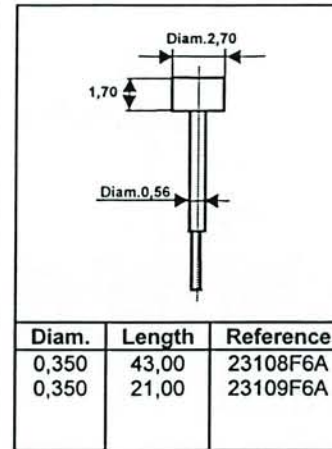
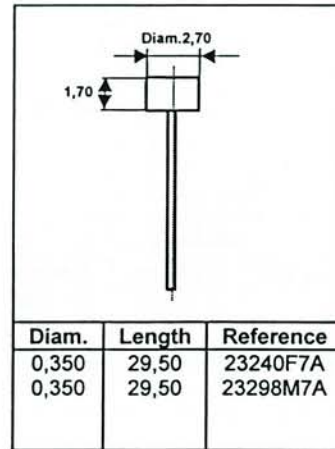
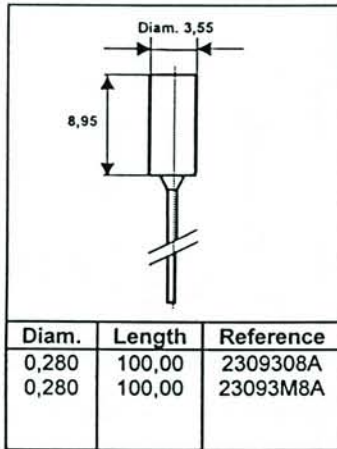
23.xxx.Nx = Nicotin



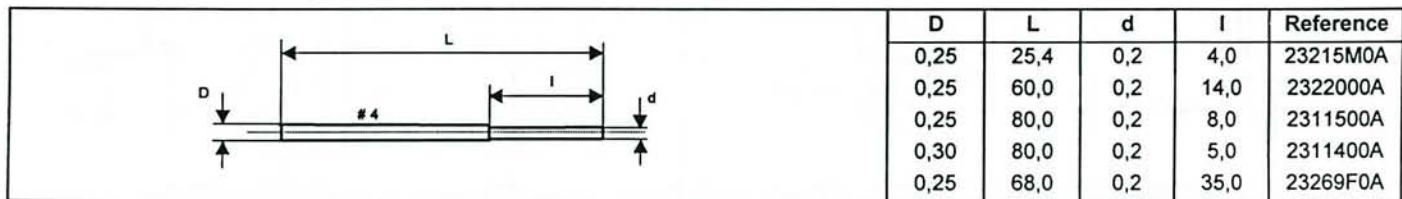
**OVERMOULDED PRINTWIRES - SPECIAL MODELS**



### PRINTWIRES WITH METAL CAP



### DOUBLE DIAMETER PRINTWIRES



**Materials:** 23.xxx.0xx = Tungsten  
 23.xxx.Fxx = FAX-40D  
 23.xxx.Mxx = Tungsten carbide  
 23.xxx.Cxx = Piano wire